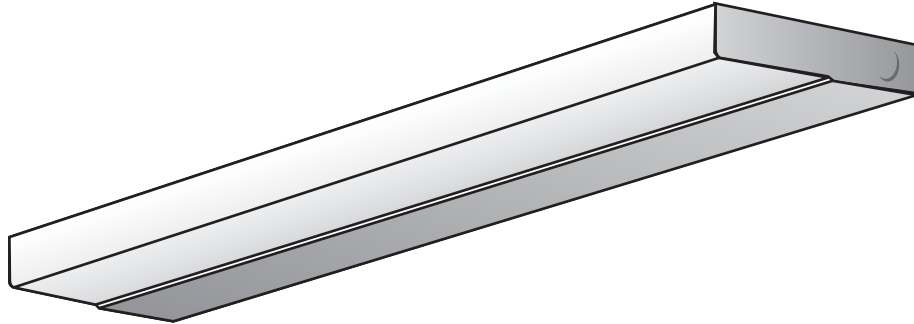


Wall Mount Series TIE



Intended Use

High Performance Undercabinet Light.

Specifications

- Knockouts provided on cover for optional convenience outlet.
- Knockouts provided on side and back for power feed.
- Keyhole mounting slots provided on back.
- 1/2" Power connector included.
- Completely wired, ready for installation.
- Comes complete with switch in box & conduit connector with lamps
- Made in U.S.A.

Electrical

UL listed 120V power factor corrected electronic ballast.

- No annoying lamp flickering during start up - Instant On!
- Energy efficient electronic ballast - lower operating cost.
- Cooler operation - as much as 60% less than conventional pre-heat ballast.
- Quieter - eliminates ballast noise.
- No started required.

Housing

Die formed housing of sturdy 20 gauge steel.

Diffuser

One piece extruded ribbed white diffuser designed to snap-out for easy installation and relamping.

Finish

All metal surfaces are specially treated for rust resistance and better paint adhesion, then electrostatically sprayed with high white enamel of 87% reflectance and baked at 375 for maximum durability.

Listing

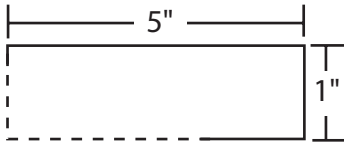
Fixtures conform to Underwriters' Laboratories standards for production and are carefully tested prior to packing.

Optional Equipment

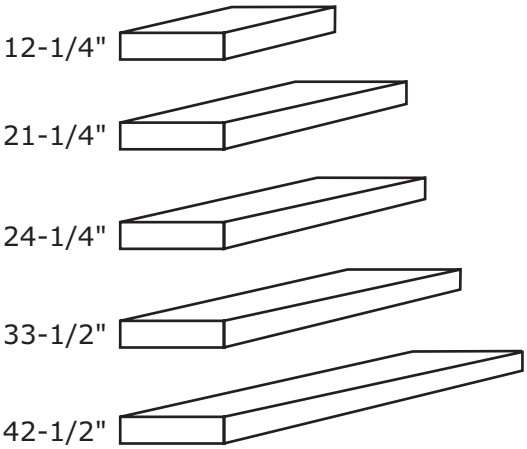
- Grounded convenience outlet
- GLR fuse and fuse holder
- Lamps
- 6 foot, 3 conductor power cord

NATURALLIGHTING.COM
www.naturallighting.com
email: sales@naturallighting.com
888.900.6830

Wall Mount Series TIE



Note: Dimensions subject to change without notice.
Please contact factory for verification



5 Lengths

NATURALLIGHTING.COM
www.naturallighting.com
email: sales@naturallighting.com
888.900.6830

ORDERING INFORMATION

SERIES TIE		
Part Number	Bulb	Size
TIE 108	1-F8T5	12-1/4" X 5" X 1"
TIE 113	1-F13T5	21-1/4" X 5" X 1"
TIE 208	2-F8T5	24-1/2" X 5" X 1"
TIE 813	1-F8T5 & 1-F13T5	33-1/2" X 5" X 1"
TIE 213	2-F13T5	42-1/2" X 5" X 1"

Also available as T1108 in pre-heat