

LAMP CHART 4 PIN LAMPS ONLY

NATURALLIGHTING.COM
www.naturallighting.com
1.888.900.6830

LAMPS

WORKHORSE

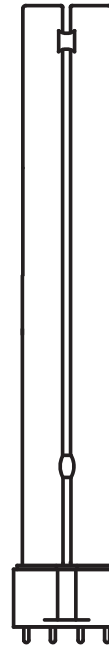
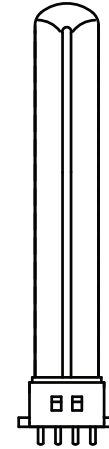
WHAM LONGHORSE

WH 1	WH 2	WH 22	WH 3	WH 33	WH 4	WH 5	WH 6	WH 7	WH 8	WHM 1	WHM 2	LH 1	LH 2	LH 3	LH 4	LH 5	LH 6
------	------	-------	------	-------	------	------	------	------	------	-------	-------	------	------	------	------	------	------

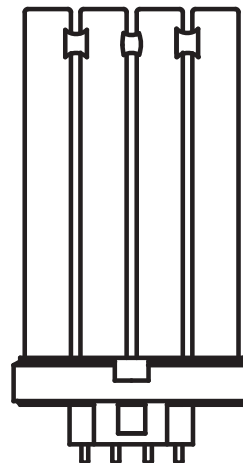
NOTE: NATURALLIGHTING.COM DOES NOT WARRANTY COMPACT FLUORESCENTS AND T5 LAMPS USING INSTANT START BALLASTS.

TWIN	WH 1	WH 2	WH 22	WH 3	WH 33	WH 4	WH 5	WH 6	WH 7	WH 8	WHM 1	WHM 2	LH 1	LH 2	LH 3	LH 4	LH 5	LH 6		
1 X 5W	3	2				2						15	2	3	2		2			
2 X 5W		1	1			1			9					1		1		9		
3 X 5W									8									8		
4 X 5W					7		7	7									7	7		
1 X 7W	3	2										15	2	3	2					
2 X 7W		1				1			9			1	1		1			9		
3 X 7W									8									8		
4 X 7W								7										7		
1 X 9W	3	2										15	2	3	2					
2 X 9W		1				1						1	1		1					
3 X 9W									8									8		
4 X 9W								7										7		
1 X 11W	3											15	2	3						
2 X 11W		1				1						1	1		1					
3 X 11W									8									8		
4 X 11W								7										7		
1 X 13W		3	2	2		2				14		3	3	2	2			14		
2 X 13W			1	1	9		9	11							1		9	11		
3 X 13W					8		8											8		
4 X 13W					7		7											7		
1 X 18W		3	2	2	14	2		14				3	3	2	2			14		
2 X 18W			1	1	9		9	9							1		9	9		
3 X 18W					8		8											8		
4 X 18W							7											7		
1 X 24W		3	2	2	14	3	14	14				3	3	2	3	14		14		
2 X 24W				1	9		9	11							1		9	11		
3 X 24W							8											8		
1 X 27W		3	2	2	14	3	14	14				3	3	2	3	14		14		
2 X 27W					9		9	11									9	11		
4 X 27W								7										7		
1 X 28W PA			3	3	14		14	10							3		14	10		
2 X 28W PA					11		11											11		
3 X 28W PA								8										8		
4 X 28W PA								7										7		
1 X 36/39W			2	2	14	3	14	10							2	3	14	10		
2 X 36/39W							9	11		22							9	11		
3 X 36/39W								8	25									8		
4 X 36/39W								7	27									7		
5 X 36/39W									28									28		
6 X 36/39W									29									29		
1 X 40W				2	14	2		14							2	2		14		
2 X 40W							9	11									9	11		
3 X 40W							8		25									8		
4 X 40W								7	27									7		
5 X 40W									28									28		
1 X 50W				3	14	3	14	10							3	3	14	10		
2 X 50W							11	11	22								11	11		
3 X 50W								8	25									8		
4 X 50W								7	27									7		
1 X 55W				3	10		10	12	16						3		10	12		
2 X 55W							11	9										11		
3 X 55W								8	26									8		
1 X 55WPA					10		12	13	14									12	13	
2 X 55WPA								11	23									11	23	
3 X 55WPA									26										26	
1 X 96W							12	14	17									12	17	
2 X 96W								11	24										11	24

TWIN



FLAT QUAD



FLAT QUAD	WH 1	WH 2	WH 22	WH 3	WH 33	WH 4	WH 5	WH 6	WH 7	WH 8	WHM 1	WHM 2	LH 1	LH 2	LH 3	LH 4	LH 5	LH 6	
1 X 18W	3	2	2	14	3	14	14					3	3	2	3	14		14	
2 X 18W				9		9	11										9	11	
3 X 18W							8											8	
3 X 18W PA																			8
4 X 18W PA								7											7
1 X 24W	3	2	2	14	3		14					3	3	2	3			14	
2 X 24W				1	9		9	11							1		9	11	
3 X 24W							8											8	
1 X 28W PA				3	10		10	13							3		10	13	
2 X 28W PA									9										9

NATURALLIGHTING.COM
www.naturallighting.com
1.888.900.6830

LAMP CHART 4 PIN LAMPS ONLY

NATURALLIGHTING.COM
www.naturallighting.com
1.888.900.6830

LAMPS

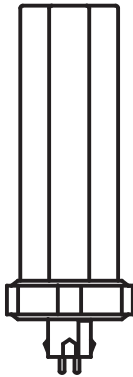
WORKHORSE

WHAM

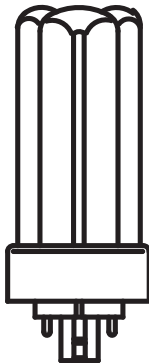
LONGHORSE

WH 1	WH 2	WH 22	WH 3	WH 33	WH 4	WH 5	WH 6	WH 7	WH 8	WH 1	WH 2	LH 1	LH 2	LH 3	LH 4	LH 5	LH 6
------	------	-------	------	-------	------	------	------	------	------	------	------	------	------	------	------	------	------

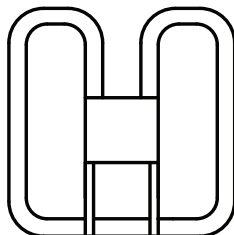
QUAD



TRIPLE



2-D



1 X 36W			2	14	3	14	10							2	3	14	10
2 X 36W				9		9	11									9	11
3 X 36W									25								
4 X 36W								7									
1 X 55W PA				10		12	13	14								12	13
2 X 55W PA								11									
1 X 96W PA						12		14								12	
2 X 96W PA								11									
QUAD																	
1 X 10W	3	2			2					15	2	3	2		2		
2 X 10W		1	1		1		9					1		1			9
3 X 10W							8										8
4 X 10W				7			7										7
1 X 13W	3	2								15	2	3	2				
2 X 13W		1			1						1	1		1			
3 X 13W							8										8
4 X 13W							7										7
1 X 18W	3	2			2					15	2	3	2		2		
2 X 18W				1	1		9							1	1		9
3 X 18W				8		8	8									8	8
4 X 18W							7										7
1 X 26W		3	2	2	14	3		14			3		3	2	3		14
2 X 26W				1	9		9	11						1		9	11
3 X 26W							8										8
4 X 26W							7										7
1 X 27W PA				10		10	13	14								10	13
2 X 27W PA								9									
TRIPLE																	
1 X 13W	3	2								15	2	3	2				
2 X 13W		1			1						1	1		1			
3 X 13W							8										8
4 X 13W							7										7
1 X 18W	3	2			2					15	2	3	2		2		
2 X 18W				1			9							1			9
3 X 18W				8			8										8
4 X 18W							7										7
1 X 26W		3	2	2	14	3		14			3		3	2	3		14
2 X 26W					9		9	11								9	11
3 X 26W							8										8
4 X 26W							7										7
1 X 32W		3	2	2	14	3	14	14					3	2	3	14	14
2 X 32W					9		9	11								9	11
3 X 32W							8										8
1 X 42W				2	14	3	14	14						2	3	14	14
2 X 42W							9	11								9	11
3 X 42W							8										8
2-D																	
1 X 10W	3	2								15	2	3	2				
2 X 10W		1			1		9				1	1		1			9
3 X 10W							8										8
4 X 10W							7										7
1 X 16W	3	2			2					15	2	3	2		2		
2 X 16W				1			9										9
3 X 16W							8										8
4 X 16W					7		7	7								7	7
1 X 21W		2			2								2		2		
2 X 21W				1			9							1			9
3 X 21W				8		8	8									8	8
4 X 21W							7										7
1 X 28W		3	2	2		2		14			3		3	2	2		14
2 X 28W				1	9		9	11						1		9	11
3 X 28W							8										8
4 X 28W							7										7
1 X 38W				2	14	3	14	14						2	3	14	14
2 X 38W							9	11								9	11
4 X 38W								7									
1 X 55W					12		12	14								12	
2 X 55W								11									

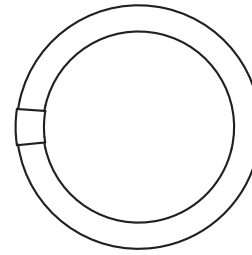
NATURALLIGHTING.COM
www.naturallighting.com
1.888.900.6830

LAMP CHART

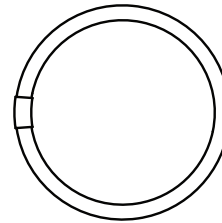
LAMPS	WORKHORSE								WHAM		LONGHORSE							
	WH 1	WH 2	WH 22	WH 3	WH 33	WH 4	WH 5	WH 6	WH 7	WH 8	WM 1	WM 2	LH 1	LH 2	LH 3	LH 4	LH 5	LH 6
CIRCLINE																		
1 X 20W		3	2	2	14	3	14	14				3	3	2	3	14	14	
2 X 20W					9		9	11								9	11	
4 X 20W									7									
1 X 22W		3	2	2	14	3	14	14				3	3	2	3	14	14	
2 X 22W					9		9	11								9	11	
4 X 22W									7									
1 X 32W			3	3	14		14	10						3		14	10	
2 X 32W					11		11									11		
3 X 32W									8									
4 X 32W									7									
1 X 40W				2	14	3	14	10						2	3	14	10	
2 X 40W							9	11								9	11	
4 X 40W									7									
1 X 22+32				1			9	11							1	9	11	
1 X 32+40								11									11	
T5 CIRCLINE																		
1 X 22W		3	2	2	14	3		14				3	3	2	3		14	
2 X 22W					9		9	11									9	11
3 X 22W					8		8										8	
1 X 40W				2	14	3	14	14						2	3	14	14	
2 X 40W							9	11									9	11
1 X 55W OS				3	10			12						3			12	
2 X 55W OS							11		9								11	
1 X 22+40				1			9	11							1	9	11	
T2 LINEAR																		
1 X F6		2											2					
2 X F6		1											1					
1 X F8		2											2					
2 X F8		1											1					
1 X F11		2											2					
2 X F11		1											1					
1 X F13		2											2					
2 X F13		1											1					
T5 LINEAR																		
1 X F4		3	2								15	2	3	2				
2 X F4			1			1						1	1		1			
3 X F4								8										8
4 X F4								7										7
1 X F6		3	2								15	2	3	2				
2 X F6			1			1						1	1		1			
3 X F6								8										8
4 X F6								7										7
1 X F8		2	2								15	2	2	2				
2 X F8			1			1						1	1		1			
4 X F8								7										7
1 X F13		3	2								15	2	3	2				
2 X F13			1			1						1	1		1			
3 X F13								8										8
4 X F13								7										7
1 X F14		3	2								15	2	3	2				
2 X F14			1			1						1	1		1			
3 X F14								8										8
4 X F14								7										7
1 X F21		3	2								15	2	3	2				
2 X F21			1			1							1		1			
3 X F21								8										8
4 X F21								7										7
1 X F28		3	2								15	2	3	2				
2 X F28						1											1	
3 X F28								8										8
4 X F28								7										7
1 X F35			2								15		2					
2 X F35						1											1	
3 X F35								8										8
4 X F35								7										7
T5 HO																		
1 X F24 HO		3	2	2	14	3		14					3	2	3		14	
2 X F24 HO				1	9		9	11						1			9	11
3 X F24 HO								8										8

NATURALLIGHTING.COM
www.naturallighting.com
1.888.900.6830

CIRCLINE



T5 CIRCLINE

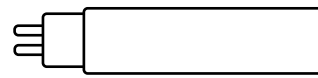


T2 LINEAR



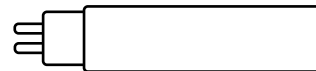
1/4" DIA

T5 LINEAR



5/8" DIA

T5 HO



5/8" DIA

NATURALLIGHTING.COM
www.naturallighting.com
1.888.900.6830

LAMP CHART

NATURALLIGHTING.COM
www.naturallighting.com
1.888.900.6830

LAMPS

WORKHORSE

WHAM

LONGHORSE

WH 1	WH 2	WH 22	WH 3	WH 33	WH 4	WH 5	WH 6	WH 7	WH 8	WM 1	WM 2	LH 1	LH 2	LH 3	LH 4	LH 5	LH 6
------	------	-------	------	-------	------	------	------	------	------	------	------	------	------	------	------	------	------

4 X F24 HO							7										7
5 X F24 HO																	28
6 X F24 HO																	29
1 X F39 HO			2	14	3		14	14						2	3	14	14
2 X F39 HO							9	11									9
3 X F39 HO							8										8
4 X F39 HO									7								25
5 X F39 HO																	28
1 X F54 HO			3	14			14	12						3		14	12
2 X F54 HO							11										11
3 X F54 HO									8								25
4 X F54 HO									7								27
1 X F80 HO							10	12									16
2 X F80 HO									9								10

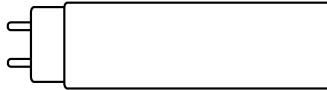
T6 LINEAR



3/4" DIA

T6 LINEAR																	
1 X F42	3	2					2							3	2		2
2 X F42				1			1			9						1	1
3 X F42										8							9
4 X F42										7							8
1 X F64							2									2	9
2 X F64							1			9						1	9
3 X F64										8							8

T8 LINEAR



1" DIA

T8 LINEAR																	
1 X F13	3	2	2	14	3			14					3		3	2	3
2 X F13				1	9			9	11							1	9
3 X F13					8			8									8
4 X F13										7							27
5 X F13																	28
6 X F13																	29
1 X F14	3	2	2	14	3		14	14					3		3	2	3
2 X F14					9			9	11								14
3 X F14								8									9
4 X F14										7							11
5 X F14																	25
6 X F14																	27
1 X F15	3	2	2		3			14					3		3	2	3
2 X F15			1	1	9			9	11							1	14
3 X F15					8			8									9
4 X F15					7			7									11
5 X F15																	25
6 X F15																	27
1 X F17	3			2		2							3		3	2	3
2 X F17			1	1					9							1	14
3 X F17					8			8									9
4 X F17					7			7									8
6 X F17																	7
1 X F18	3	2	2	14	3			14					3		3	2	3
2 X F18					9			9	11								14
3 X F18								8									9
4 X F18																	11
5 X F18																	25
6 X F18																	27
1 X F25	3			2		2							3		3	2	3
2 X F25				1					9							1	14
3 X F25								8									9
4 X F25								7									8
6 X F25																	7
1 X F30	3	2	2	14	3			14					3		2	3	14
2 X F30					9			9	11								9
3 X F30								8									11
4 X F30										7							25
5 X F30																	27
6 X F30																	28
1 X F32	3			2		2							3		2	2	29
2 X F32				1					9							1	14
3 X F32								8									9
4 X F32								7									8
6 X F32																	7
1 X F40				2		2										2	2
2 X F40									9								29

NATURALLIGHTING.COM
www.naturallighting.com
1.888.900.6830

LAMP CHART

LAMPS	WORKHORSE								WHAM		LONGHORSE							
	WH 1	WH 2	WH 22	WH 3	WH 33	WH 4	WH 5	WH 6	WH 7	WH 8	WM 1	WM 2	LH 1	LH 2	LH 3	LH 4	LH 5	LH 6
3 X F40								8									8	
1 X F58									10									10
2 X F58								11									11	
3 X F58										8								
1 X F70									10									10
2 X F70								11									11	
1 X F72					2											2		
2 X F72					1			9								1		9
3 X F72									8									8
4 X F72									7									7
T8 HO																		
1 X F48 HO				3	14			14	10						3		14	10
2 X F48 HO								11									11	
3 X F48 HO										8								25
4 X F48 HO										7								27
1 X F60 HO				3	14			14	10						3		14	10
2 X F60 HO								11									11	
3 X F60 HO										8								25
4 X F60 HO										7								27
1 X F72 HO				3	14			14	10						3		14	10
2 X F72 HO																		22
3 X F72 HO								11		8							11	
T10 LINEAR																		
1 X F40				3	14	3		14	10						3	3	14	10
2 X F40								11	11								11	11
3 X F40										8								25
4 X F40										7								27
5 X F40																		28
T10 VHO																		
1 X F48 VHO										12								19
1 X F60 VHO										12								19
1 X F72 VHO										12								19
1 X F96 VHO										12								19
T12 LINEAR																		
1 X F14	3	2	2	14	3		14	10			3		3	2	3	14	10	
2 X F14				9			9	11								9	11	
3 X F14																		25
4 X F14										7								27
5 X F14																		28
6 X F14																		29
1 X F15	3	2	2		3			14			3		3	2	3		14	14
2 X F15				1	9			9	11						1		9	11
3 X F15					8			8									8	
4 X F15								7									7	
5 X F15																		28
6 X F15																		29
1 X F20	3	2	2	14	3		14	14			3		3	2	3	14	14	
2 X F20				9			9	11								9	11	
3 X F20																		25
4 X F20										7								27
5 X F20																		28
6 X F20																		29
1 X F24			3		14	3		14	10			3			3	14	10	
2 X F24					11			11	11							11	11	
3 X F24										8								25
4 X F24										7								27
5 X F24																		28
1 X F25		3	3	14			14	10							3		14	10
2 X F25				11			11										11	
3 X F25										8								25
4 X F25										7								27
1 X F30			3	3	14	3		14	10						3	3	14	10
2 X F30					11			11	11								11	11
3 X F30										8								25
4 X F30										7								27
5 X F30																		28
1 X F36				3	14	3		14	10						3	3	14	10
2 X F36					11			11	11								11	11
3 X F36										8								25
4 X F36										7								27

NATURALLIGHTING.COM
www.naturallighting.com
1.888.900.6830

T8 HO



1" DIA

T10 LINEAR



1 1/4" DIA

T10 VHO



1 1/4" DIA

T12 LINEAR



1 1/2" DIA

NATURALLIGHTING.COM
www.naturallighting.com
1.888.900.6830

LAMP CHART

NATURALLIGHTING.COM
www.naturallighting.com
1.888.900.6830

LAMPS

WORKHORSE

WHAM

LONGHORSE

WH 1	WH 2	WH 22	WH 3	WH 33	WH 4	WH 5	WH 6	WH 7	WH 8	WM 1	WM 2	LH 1	LH 2	LH 3	LH 4	LH 5	LH 6
------	------	-------	------	-------	------	------	------	------	------	------	------	------	------	------	------	------	------

5 X F36																		28
1 X F40			3	14	3	14	10							3	3	14	10	
2 X F40							11	11									11	11
3 X F40									8									25
4 X F40									7									27
5 X F40																		28
1 X F42			3	14	3	14	10							3	3	14	10	
2 X F42							11	11									11	11
3 X F42									8									25
4 X F42									7									27
5 X F42																		28
1 X F48			3	1	3	14	10							3	3	14	10	
2 X F48							11	11									11	11
3 X F48									8									25
4 X F48									7									27
5 X F48																		28
1 X F60			2	14	3	14	10							2	3	14	10	
2 X F60							11	11									11	11
3 X F60									8									25
4 X F60									7									27
1 X F64			2	14	3	14	10							2	3	14	10	
2 X F64							11	11									11	11
3 X F64									8									25
4 X F64																		27
1 X F72			2	14	3	14	10							2	3	14	10	
2 X F72							11	11									11	11
3 X F72									8									25
4 X F72																		27
1 X F84			2		3	14	10							2	3	14	10	
2 X F84							11	11									11	11
3 X F84									8									25
1 X F96							14	10									14	10
2 X F96							9	11									9	11
3 X F96									8									

T12 HO

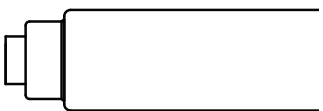


1 1/2" DIA

T12 HO

1 X F18 HO				12			12	13	14								12	13
2 X F18 HO									11									23
3 X F18 HO																		26
1 X F24 HO				12			12	13	14								12	13
2 X F24 HO									11									23
3 X F24 HO																		26
1 X F30 HO				12			12	13	14								12	13
2 X F30 HO									11									23
3 X F30 HO																		26
1 X F36 HO				12			12	13	14								12	13
2 X F36 HO									11									23
3 X F36 HO																		26
1 X F42 HO				12			12	13	14								12	13
2 X F42 HO									11									23
3 X F42 HO																		26
1 X F48 HO				12			12	13	14								12	13
2 X F48 HO									11									23
3 X F48 HO																		26
1 X F60 HO							12	13	14								12	13
2 X F60 HO									11									23
3 X F60 HO																		26
1 X F64 HO							12	13	14								12	13
2 X F64 HO									11									23
1 X F72 HO							12	13	14								12	13
2 X F72 HO									11									23
1 X F84 HO							12	13	14								12	13
2 X F84 HO									11									23
1 X F96 HO							12	13	14								12	13
2 X F96 HO									11									23

T12 VHO



T12 VHO

1 X F48 VHO									12									19
1 X F60 VHO									12									19
1 X F72 VHO									12									19
1 X F96 VHO									12									19

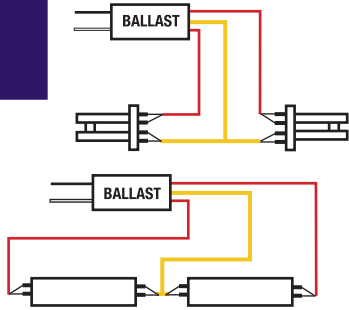
NATURALLIGHTING.COM
www.naturallighting.com
1.888.900.6830

PLEASE NOTE: CUSTOMER IS RESPONSIBLE FOR MATCHING BALLAST AND LAMP TYPE.

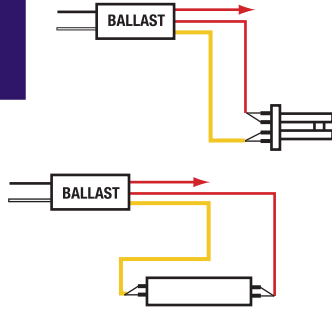
PLEASE REFER TO WORKHORSE LAMP CHART.

WE DO NOT WARRANTY COMPACT FLUORESCENT LAMPS WITH INSTANT START BALLASTS.

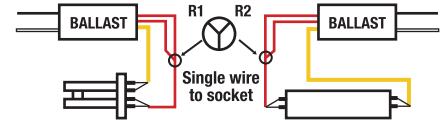
1



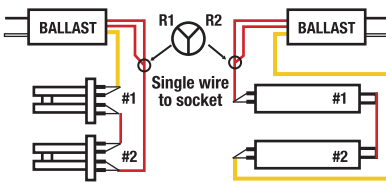
2



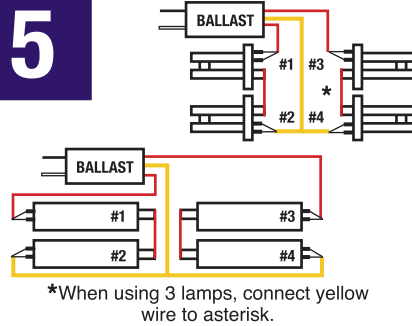
3



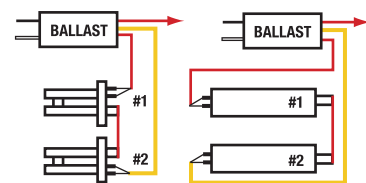
4



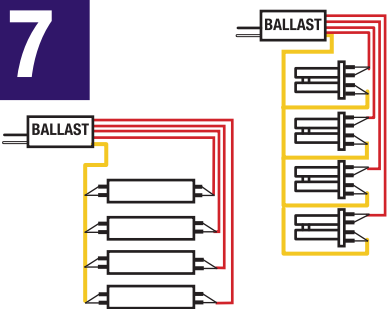
5



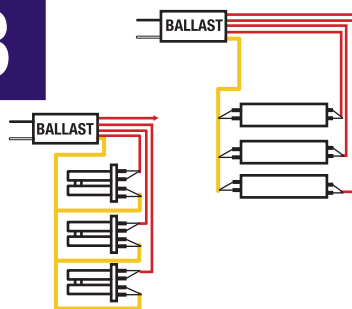
6



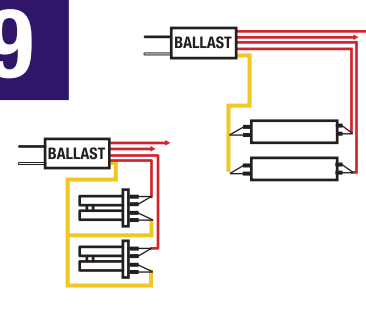
7



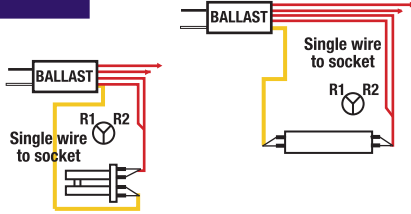
8



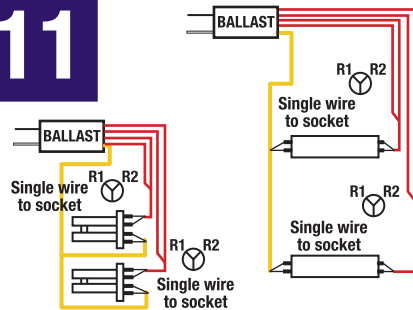
9



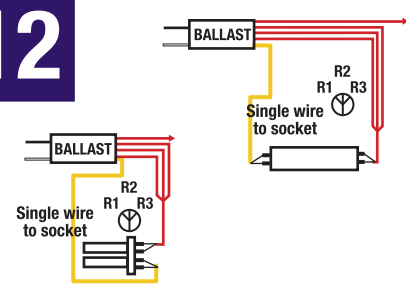
10



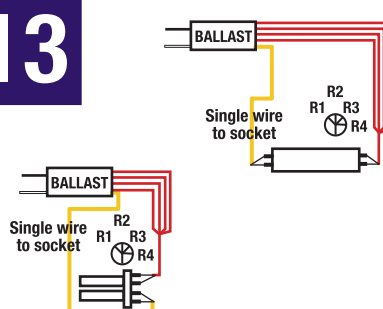
11



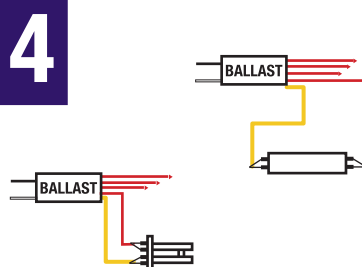
12



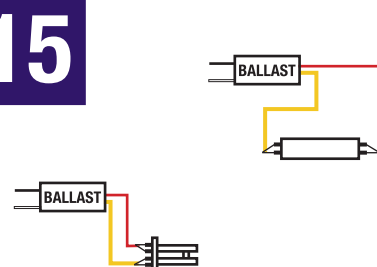
13



14



15



OPERATION & INSTALLATION TIPS

1. Connect both pin sets of the socket before connecting "RED" & "YELLOW" wires.
2. Ground case in accordance with the "National Electric Code."
3. With Linear lamps, use a starting aid.
4. Ballast case temperature can not exceed 70°C.
5. Remote mounting distance varies with lamp type. Contact customer service.
6. Ballast can not be used with dimmer switch but can be used with Occupancy Sensor.
(Note: Sensor will shorten lamp life.)

7. Cap and insulate any unused red power wire.
8. When connecting two red power wires, they must be joined to make one wire before attaching to the socket.
9. BLS (Back Leads with Studs) Dimensions:
Stud Length: 5/8", Stud Size: 8/32, Center to Center: 2"
10. Running lamps in series will reduce the turn-on cycles of both lamps.
(Configuration diagrams 4, 5, 6)

